

## Model: rdc422ic

### RS-232 to RS-422 isolated converter

The rdc422ic safely connects RS-232 devices to RS-422 devices without danger of ground loops and damaging surges. The data signals have 2.5kV optical isolation. Internally isolated DC supply provides 2-port galvanic isolation, or full 3-port can be ordered so both the RS-232 and RS-422 signals float with respect to the power supply ground. There is an internal 100Ω terminating resistor.

Other options: 600w transient (spike) suppressor diodes; 9-pin D-sub shell or removable 5-pin compression terminal block; DC supply of 5, 12, or 24v; 2 or 3-port galvanic isolation; custom terminating resistor values. Isolation, industrial design, small size, DIN rail mount, user indication, and DC supply make the rdc422ic a very engineer-friendly device for your industrial data communication system.

## Specification

Ports	RS-232	RS-422
Signal Type .....	EIA/RS-232E .....	EIA/RS-422A & RS-485A
Voltage Level .....	+/- 9 vDC .....	-7 to +12vDC
Permitted Surge ..	+/- 25 vDC .....	+/- 25 vDC

### Isolation (ISO/IEC 9549)

RS-232 to RS-422 .....: 2500 v (optical, 5kV test)  
 Supply to RS-422.....: 2500 v (galvanic, 3kV test)  
 Supply to RS-232.....: 2-port = none ; 3-port = 500v

### Power Supply:

9v to 36v DC, 1.1 watt (Max 45mA @ 24v)  
 5v DC +/- 5%, 150mA (Max)  
 LEDs (green) indicate isolated power status

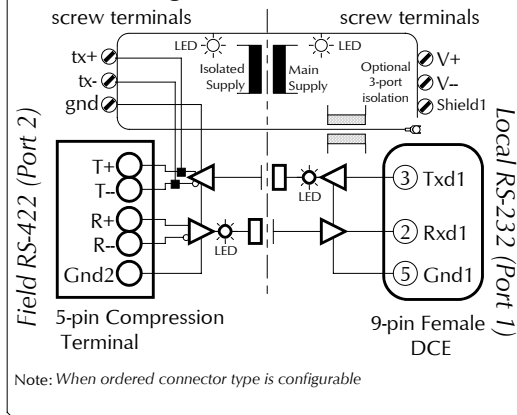
### Communication:

Max Speed .....: at least 115Kbps at standard distances  
 Character Setting ....: transparent, no configuration required  
 User Indications .....: Each receive signal has LED (yellow)  
 Standard Distance ..: 15m for EIA/RS-232; 1000m for EIA/RS-422  
 Practical Distance ...: less than 50m for RS-232, 3000m for RS-422 (requires quality, low-cap cable < 50 pf/m)

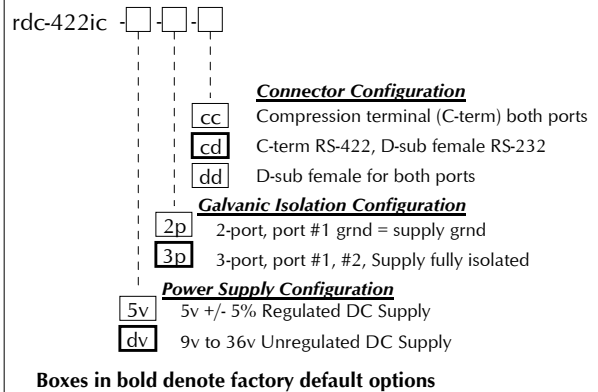
### Mechanical / Environment

Operating Range ..: -20C to +65C  
 Storage Range .....: -40C to +100C  
 Relative Humidity : 10 to 90% RH, non-condensing  
 Terminals .....: wire up to 2.5mm (12 AWG)  
 D-shell connector.: 9-pin, 30μ gold pins/sockets rated 500 cycles  
 Case Material .....: nylon polyimide, fungus and termite resistant self-extinguishing  
 Weight .....: approx 130g  
 Mounting Rail .....: DIN EN 50 022 or DIN EN 50 035

### Block Diagram



### Order Information



### Dimensions in mm (and inches)

