

Model: rdc485fh

- Isolated RS-485 to Dual WDM Hub
- Isolated RS-485 to WDM Converter
- Isolated RS-485 to Dual Single Mode FO Hub
- Isolated RS-485 to Single Mode FO Converter
- Isolated RS-485 to Dual Multi Mode FO Hub
- Single Mode to Multi Mode FO Converter

The rdc485fh provides transparent data conversion between fiber optic and RS-485 devices. A wide array of choices are available for the fiber optic heads (Multimode, Singlemode or WDM). WDM (Wavelength Division Multiplexing) allows full duplex communication over a single fiber cable.

Up to two fiber ports and one RS-485 port can be installed. The rdc485fh is available in two configurations; as a Converter or Hub. As a converter, any combination of two heads can be installed. For instance, one Singlemode Fiber and one RS-485 port, or one Multimode Fiber and one WDM Fiber port etc. As a Hub, all three ports are installed and any combination of fiber optic heads can be used.

Industrial design, small size, DIN rail mount, user indication, and wide range DC supply make the rdc485fh converter a very engineer- friendly device for your industrial data communication system.

Specification

Interface

Optical : Multimode (1300nm)
: Singlemode (1310nm)
: WDM (1310 / 1550 nm)

Serial : RS-485 (Supports both 2 and 4-wire modes)

Connectors : ST, SC, FC for Fiber ports
: RS-485 5-way Screw Terminal
: Power Supply 3-way Screw Terminal

Power Supply

9 to 48 VDC : 2.4 W Nominal (100 mA @ 24 Vdc)
User Indications : Green LED for main power supply

Isolation

RS-485 and Supply : 2.5 KV
Intrinsic isolation at Fiber Ports

Communication

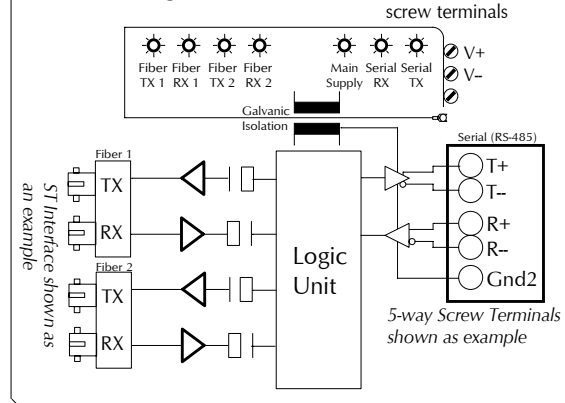
Selectable Speeds : 9600, 19200, 38400, 57600, 115200 bps
User Indications : Tx and Rx for all ports
Link Loss Budget : Multimode (9 dbm), Singlemode (19 dbm)
WDM (12 dbm)
Practical Distance : Multimode - 2 km, Singlemode - 40 km
WDM - 20 km

Mechanical / Environment

Operating Range : 0C to +60C
Storage Range : -40C to +100C
Relative Humidity : 10 to 90% RH, non-condensing
Case Material : nylon polyimide, fungus and termite resistant
self-extinguishing
Weight : approx 130g
Mounting Rail : DIN EN 50 022 or DIN EN 50 035

Copyright © 2008 Robust DataComm Pte Ltd
(Version 1.1) Specifications subject to change without notice.

Block Diagram



Order Information

rdc485fh-gv------

For WDM heads only

- a** Port 1 Wavelength 13/15
- b** Port 1 Wavelength 15/13
- ab** Port 1 Wavelength 13/15
Port 2 Wavelength 15/13

RS-485 Connector

- c** 5-way Screw Connector
- d** 9 Pin D-shell Connector
- x** Not Installed

Fiber Port 2 Connector

- t** ST Connector
- c** SC Connector
- f** FC Connector
- x** Not Installed

Fiber Port 1 Connector

- t** ST Connector
- c** SC Connector
- f** FC Connector

Fiber Port 2 Type

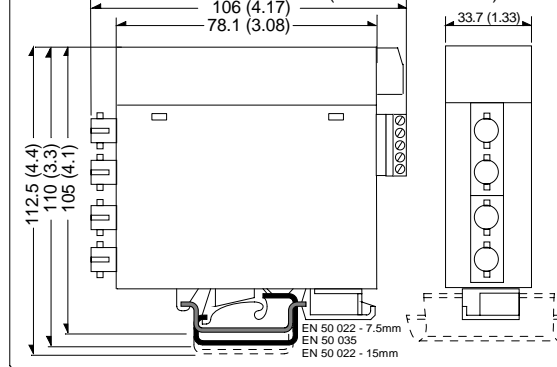
- s** Singlemode (1310 nm)
- m** Multimode (1300 nm)
- w** WDM (1310 / 1550 nm)
- x** Not Installed

Fiber Port 1 Type

- s** Singlemode (1310 nm)
- m** Multimode (1300 nm)
- w** WDM (1310 / 1550 nm)

Boxes in bold denote factory default options

Dimensions in mm (and inches)



www.robustdc.com

