



Model: rdcMSFO

Multimode to Singlemode Fiber Optic Converter

The converter provides transparent conversion between fiber optic devices utilizing multimode fiber and those with singlemode fiber. Singlemode fiber can transmit data over a much longer distance than multimode fiber. Singlemode is ideal for longer "metropolitan distances" and multimode is well suited to short premises installation.

Singlemode fiber accomplishes the distance by confining the transmitted power to a single optical mode which propagates down the center axis of the fiber. The converter regenerates signal strength and is mainly used to exceed the distance for multimode fiber.

Industrially designed with a small footprint, DIN rail mount, user indicators, and wide DC supply range make the rdcMSFO a very engineer- friendly device for your industrial data communication system.

Specification

Fiber Optic

- Interface : Multimode 850 nm full duplex (Local)
- : Singlemode 1310 nm full duplex (Remote)
- Connectors : Multimode ST(bayonet), SC or FC (Local)
- : Single mode ST(bayonet), SC or FC (Remote)
- Fiber Size : Multimode - 62.5/125, 100/140 and 50/125 μ m
- : Singlemode - 9/125 μ m
- Power Budget : Singlemode on 9/125 μ m cable
- : 15 dBm @ 65 °C
- : Multimode on 62.5/125 μ m cable
- : 15 dbm @ 65 °C

Power Supply

- 9v to 36v DC : 15 mA (Max)
- 5v DC +/- 5% : 60 mA (Max)
- User Indications : Green LED for incoming power supply

Communication

- Max Speed : Up to 500 kbps
- Character Setting : transparent, no configuration required
- User Indications : Yellow LEDs for both directions
- Distance : Multimode 4 km
- : Singlemode 20 km
- (Depends on attenuation loss, no. of splices etc along FO cable)

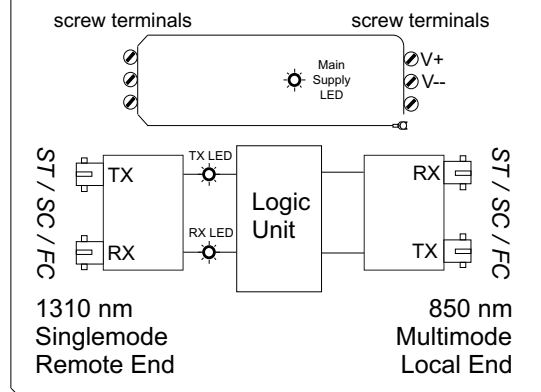
Mechanical / Environment

- Operating Range : -10 °C to +65 °C
- Storage Range : -40 °C to +85 °C
- Relative Humidity : 10 to 90% RH, non-condensing
- Case Material : nylon polymide, fungus and termite resistant self-extinguishing
- Weight : approx 130g
- Mounting Rail : DIN EN 50 022 or DIN EN 50 035

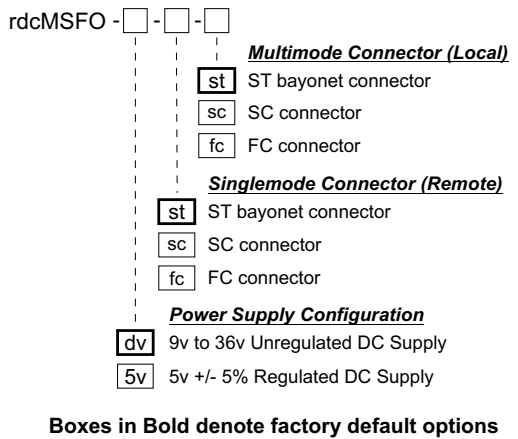
Copyright © 2014 RDC

(Version 1.0) Specifications subject to change without notice.

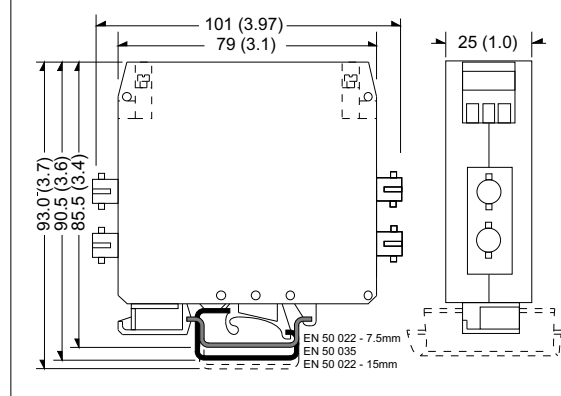
Block Diagram



Order Information



Dimensions in mm (and inches)



www.robustdc.com