



Model: rdcFoms-DIO

Single Mode/Multi-mode Fiber Optics Converter with Digital I/O

The converter provides transparent data conversion between fiber optic devices that utilize multi-mode fiber and single mode fiber. A bidirectional digital I/O port is also provided to allow the conversion between TTL/CMOS and optical signals. The transmission distance for single-mode is greater than that of multi-mode. Single mode is ideal for longer "metropolitan distances" and multi-mode is well suited to short premises installation.

The converter regenerates signal strength and is mainly used to exceed the distance for multi-mode fiber or for the distribution of CMOS/TTL signals (clock etc) in a optical fiber network.

Industrial design, small size, DIN rail mount, user indication, and wide range DC supply make the rdcFoms-DIO converter a very engineer- friendly device for your industrial data communication system.

Specification

Interface : Multi-mode 820nm full duplex
 : Single mode 1310nm full duplex
 : Digital I/O TTL / CMOS compatible (up to 6 mA of drive)

Connectors : Multi-mode ST(bayonet)
 : Single mode ST(bayonet)
 : Digital I/O 3-way Screw Terminal
 : Power Supply 3-way Screw Terminal

Loss Budget : 17dB max @1310nm on 9/125um cable
 : 13dB max @820nm on 62.5/125um cable

Power Supply

9 to 48 VDC : 2.4 W Max
 User Indications : Green LED for main power supply

Isolation

DIO and Supply : 2.5 KV
 Intrinsic isolation at Fiber Ports

Communication

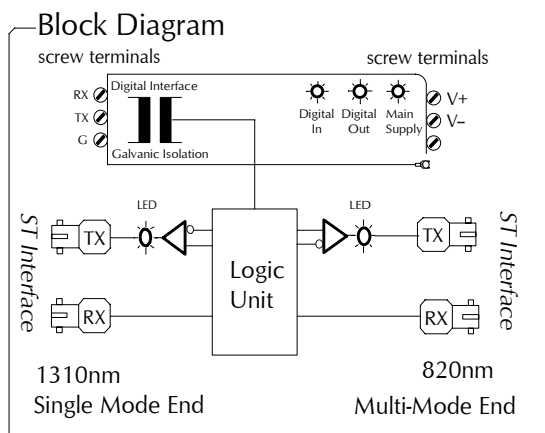
Max Speed : Up to 115 kbps at standard distances
 Character Setting : transparent, no configuration required
 User Indications : Tx for fiber ports, Tx and Rx for Digital I/O
 Practical Distance : Multi-mode 4km, Single mode 11km

Mechanical / Environment

Operating Range : -20C to +65C
 Storage Range : -40C to +100C
 Relative Humidity : 10 to 90% RH, non-condensing
 Case Material : nylon polyimide, fungus and termite resistant self-extinguishing
 Weight : approx 130g
 Mounting Rail : DIN EN 50 022 or DIN EN 50 035

Copyright © 2007 Robust DataComm Pte Ltd

(Version 1.0) Specifications subject to change without notice.



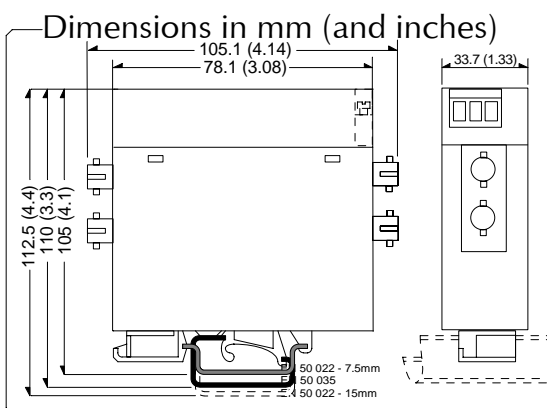
Order Information

rdcFoms-DIO- [] - [] - []

Connector Configuration
 [st] ST bayonet connector (® of AT&T)

Galvanic Isolation Configuration
 [2p] 2.5 KV between DIO & supply

Power Supply Configuration
 [gv] 9v to 48v Unregulated DC Supply



www.robustdc.com

